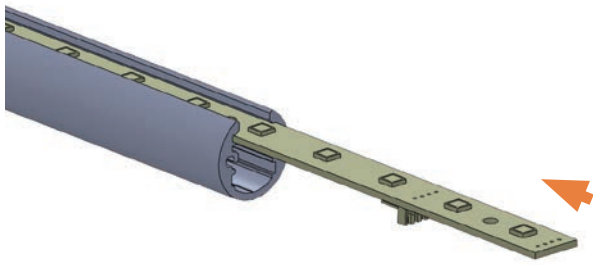


Cylindrical profiles

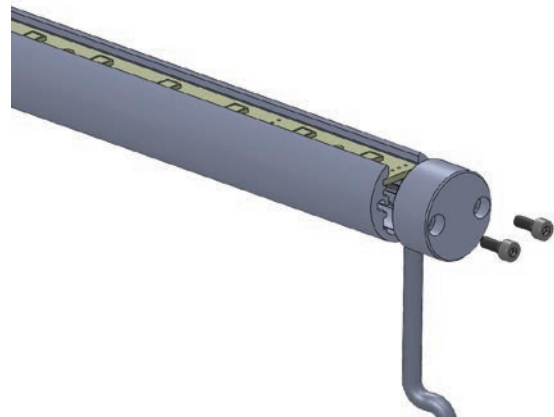
Assembly Instruction





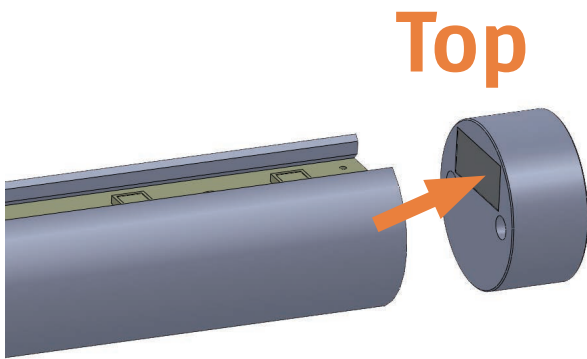
Step 1

Cabling LED-Strips and slide into the profile.



Step 2a

Screw head ends.
Conductor through head end with cable outlet.



Step 2b

With anodized head pieces isolation above!



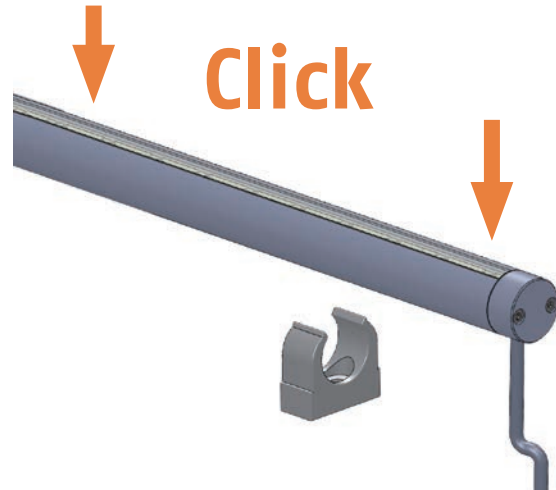
Step 3

Fix covering.



Step 4

Screw fixing.



Step 5

Click profile into mount. Finished.

Why Schnick Schnack Systems?

As installation times become increasingly shorter the complexity of systems simultaneously increases as do the requirements of customers.

We are a supplier who delivers high-quality reliable systems – under tight deadline constraints that are not only quick to install but also simple to operate and service.

Schnick-Schnack-Systems GmbH

Mathias-Brüggen-Straße 79
50829 Cologne (Germany)

Phone +49 (0) 221/99 2019-0
Fax +49 (0) 221/16 85 09-73

info@schnickschnacksystems.com
www.schnickschnacksystems.com

© 2017 Schnick-Schnack-Systems GmbH

Version August 2017: All technical data and the weight and dimension information were carefully created – errors reserved. Any colour deviations are printing-related.

We reserve the right to make changes that serve further improvement.